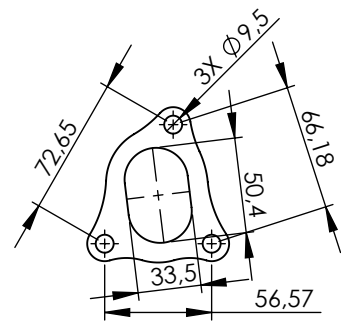
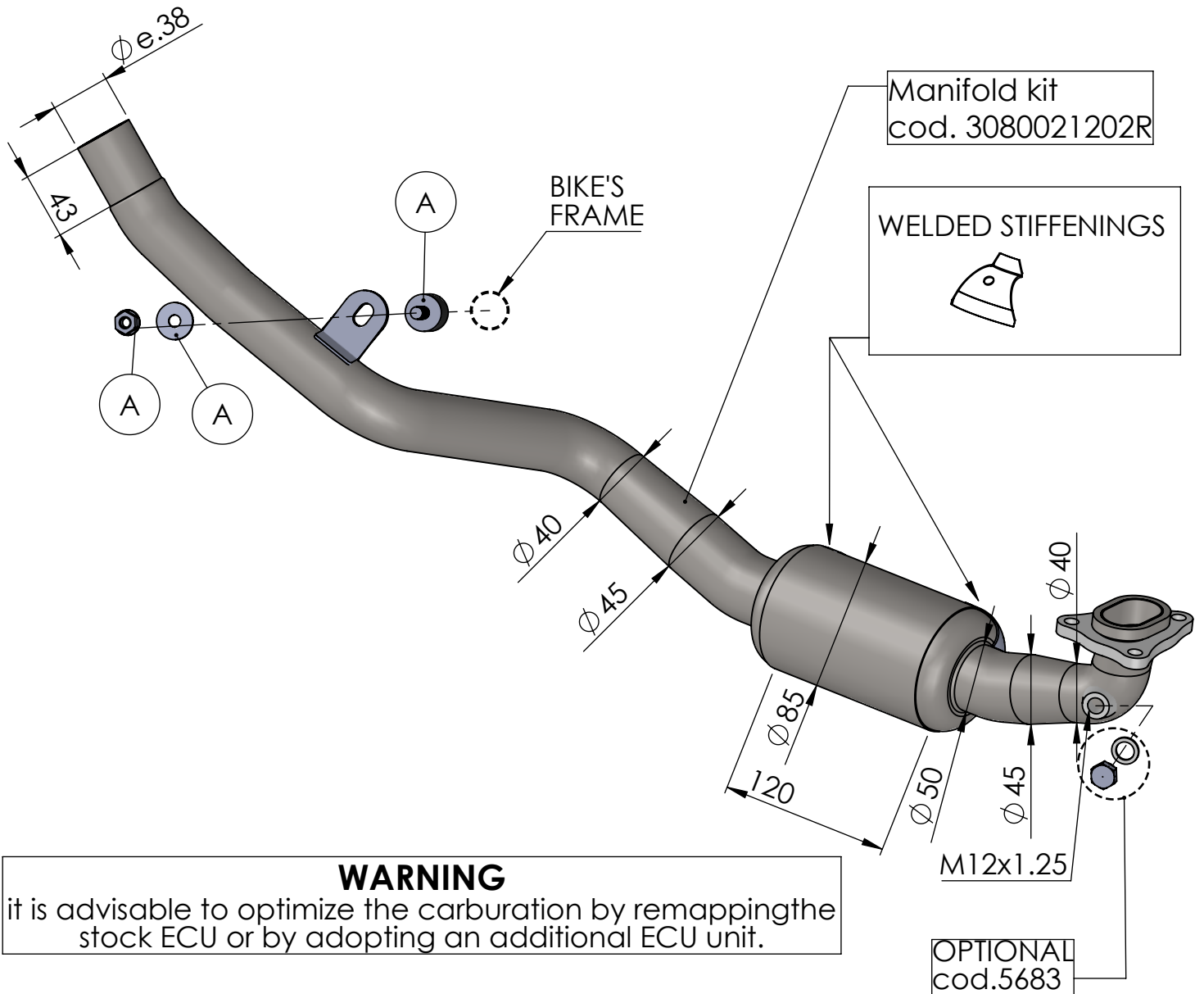


**Bushing sp.8mm
cod.206083**



**Flange "160A"
cod.206084 sp.8mm**

DO NOT USE ORIGINAL BUSHING



**Manifold kit
cod. 3080021202R**

WELDED STIFFENINGS

WARNING
it is advisable to optimize the carburation by remapping the stock ECU or by adopting an additional ECU unit.

**OPTIONAL
cod.5683**

ART. 80021 SPARE PARTS

HONDA FORZA 750

(Also fits A2 version) (compatible both with stock exhaust and LeoVince slip-on ART. 14195S-14196S-14193E-14194E-14046)

Ⓐ FITTING KIT cod.3080021601R